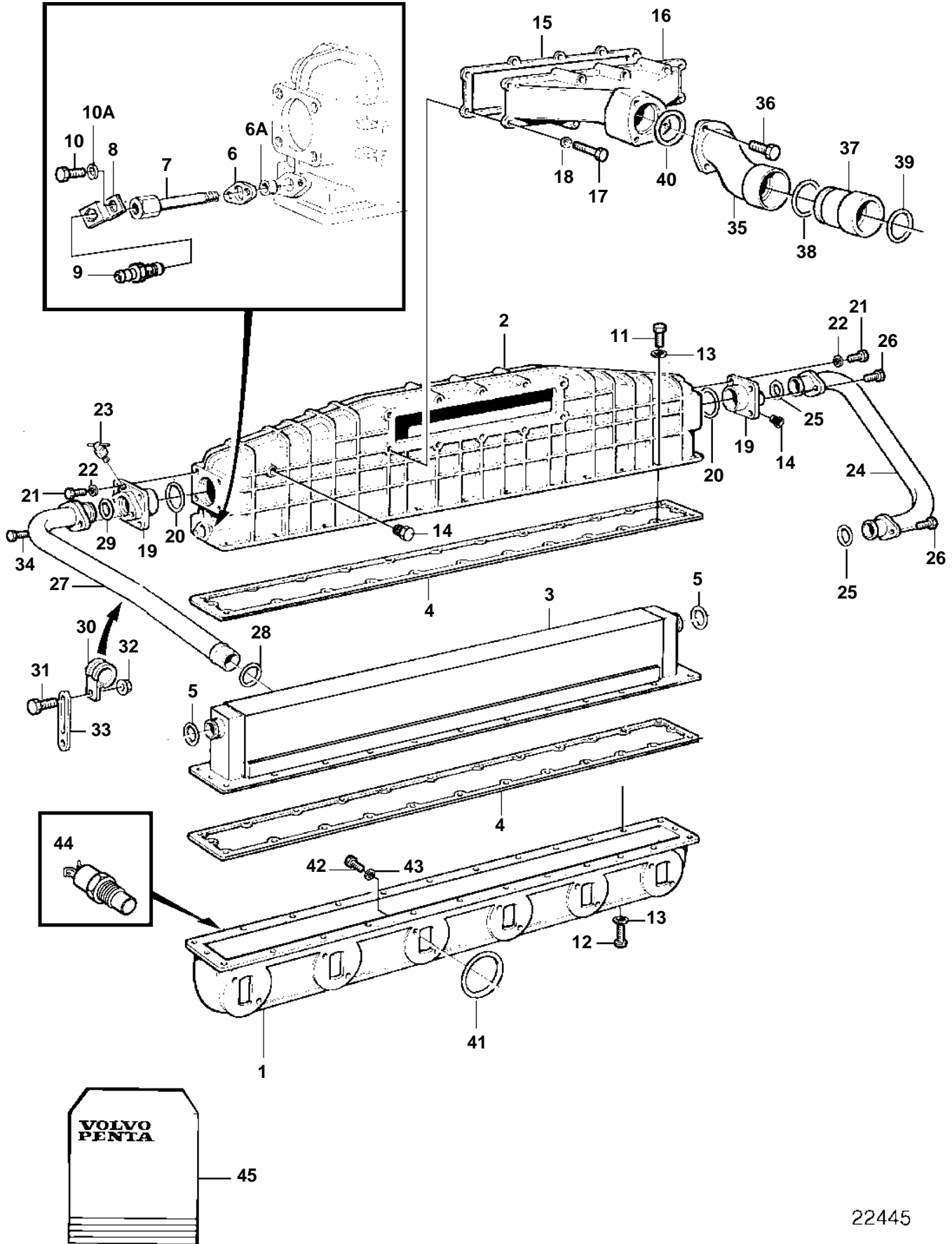


TWD1630V



22445

TWD1630V

REF	PART NO.	QTY	DESCRIPTION	SEE SEC.	NOTES
1		1	Inlet pipewith starter element	441	
2	11032229	1	Inlet pipe		(424802)
3	866457	1	Intercooler		(424808)
4	3979052	2	Gasket		(469661)
5	425695	2	O-ring		(469668)
6	3825050	1	Flange		
6A	3825051	1	Sealing ring		
7	3825067	1	Tap		
8	11031112	1	Lock plate		
9	947893	1	Drain cock		
10	955514	2	Screw		
10A	949607	2	Spring washer		
11	956572	10	Screw		
12	940186	16	Screw		
13	955894	26	Washer		
14	479979	1	Plug		
15	469662	1	Gasket		
16	849140	1	Tube		
17	940161	10	Screw		
18	941907	10	Spring washer		
19	849078	2	Flange		
20	949332	2	O-ring		
21	955525	8	Screw		
22	941907	8	Spring washer		
23	82744	1	Tap		
24	849074	1	Tube		
25	848163	2	Gasket		
26	946934	4	Flange screw		
27	849172	1	Tube		
28	469982	1	Sealing ring		
29	848163	1	Gasket		
30	952641	1	Clamp		
31	946544	1	Flange screw		
32	945407	1	Flange nut		
33	965537	1	Bracket		
34	946934	2	Flange screw		
35	849139	1	Connection pipe		
36	945444	3	Flange screw		
37	1664300	1	Tube		
38	1542783	1	Sealing ring		
39	469508	1	Sealing ring		
40	945512	1	O-ring		
41	1543172	6	Sealing ring		
42	955310	8	Screw		L=130mm
	980103	4	Hexagon screw		(955313)
43	955894	12	Washer		
44	822859	2	Thermo monitor		(479979)
45	876171	1	Gasket kit, induction manifold		SEE GROUP 99